

# HOUSING FOR ELEKTRONICS

Luženice 10, 344 01 Domažlice  
 CZECH REPUBLIC  
 Tel.: 00420 379 723 915, Fax: 00420 379 725 868  
 www.atd-elektronik.cz info@atd-elktronik.cz

## VERTICAL RAIL MOUNTING HOUSE

Made of Blend PC/ABS class V2, or on request V0 (UL94), in green (RAL6017), in grey (RAL7035) or in black (RAL7021).

17,50mm - for DIN-EN 50022-50035 rail

22,5mm -for DIN-EN 50022-50035 rail



22,5mm

35,0mm - for DIN-EN 50022-50035 rail



45,00mm -for DIN-EN 50022 rail  
 Componibili

90,00mm - for DIN-50022 rail

DLM

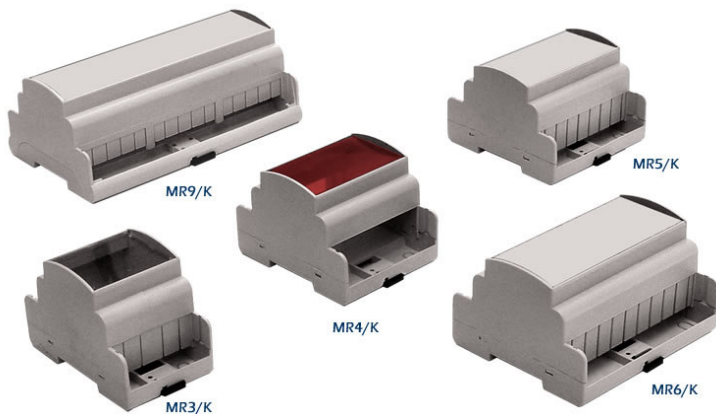


## MODULAR HOUSING

MR-CB H-53mm Made of noryl class v2 or, on request, class v0 (ul 94) in ral (7035) grey.



MR-K H-53mm



MR/CK H-53mm



MR-A H-70mm



MR-C H-68mm

MR - SPECIALI



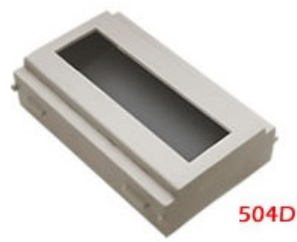
DOMOTICS

DOMOTICS SERIE 503 B

DOMOTICS SERIE 503 V

DOMOTICS SERIE 504 D

DOMOTICS MRK



## TWO WIDTH FOR INTERFACE UNITS

### EURO

Two width patented housing for interface units, euro series, are available in two width (mm 100- mm108) suitable for mounting on din-en 50022-50035 rail.

### MINI

Two width patented housing for interface units, mini series, are available in two width (mm68- mm72) suitable for mounting on din-en 50022-50035 rail.

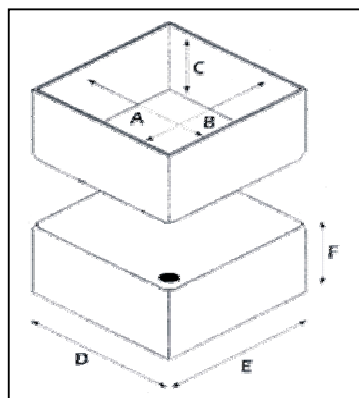
### RS

Two-width patented modular housing single relays or photo-coupler, available in mm11,5 and 16,5 mm length.

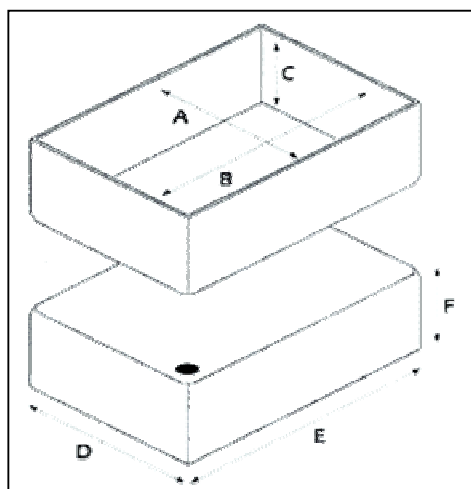


## CASES FOR POTTED CIRCUITS

-made of blafl Polycarbonate, heath resistant from -20C to 120C

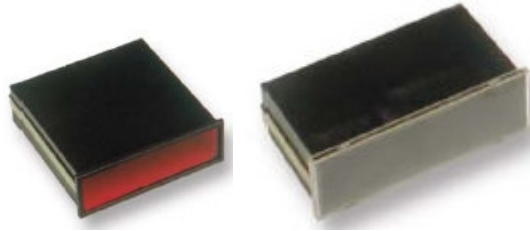


COD	A	B	C	D	E	F
21.21 B	18,8	18,8	11	21,6	21,6	21,1
26.26 B	22,6	22,6	11,9	26	26	13
29.29 B	26,6	26,6	12,6	29,3	29,3	13,8
42.42 B	39,2	39,2	12,6	42	42	13,8
54.54 B	52,1	52,1	12,6	54,8	54,8	14
29.29 A	26,4	26,4	26,9	29,5	29,5	28,6
42.42 A	39,1	39,1	26,9	42,3	42,3	28,7
41.41 A	37,9	37,9	39,3	41	41	40,8
48.48 A	45,3	45,3	47,8	48,7	48,7	49



COD	A	B	C	D	E	F
10.23 B	8,5	21,5	4,6	10,1	23,2	5,9
29.41 B	26,4	39,2	12,6	29,3	41,9	13,8
29.41 B-B	26,4	39,2	8,8	29,3	41,9	10,2
29.54 B	26,5	52,1	12,6	29,3	54,8	13,8
36.52 B	33,2	49,7	13,7	36	52,5	15,3
32.77B	30	74,5	14,3	32,5	77	15,8
9.36 A	7	34	24	9	36	25,5
12.49 A	9	46	40	12,1	49,4	41,4
13.33 A	10,1	30,2	20,1	13,5	33,5	21,6
15.35 A	13	32,5	23,5	15	35	24,5
21.33 A	18,3	30,3	24,7	21,6	33,5	26,2
22.40 A	19,3	37,2	46,8	22,6	40	48
29.41 A	26,3	39	26,9	29,6	42,1	28,6
29.54 A	26,4	50,8	26,9	29,6	54,1	28,6
44.55 A	41,4	52	26,9	29,6	42,1	28,6
47.71 A	43,5	67,8	53,3	46,8	71	55
62.55 B	55	61	23	55,5	61,5	23,5
58.89 A	57,7	84,6	30,5	64,5	88,5	33,6

**PANEL HOUSING  
FRONTEQUADRO**



**ZOCCOLATI**



Lužnice 10, 344 01 Domažlice  
CZECH REPUBLIC  
Tel.: 00420 379 723 915,

**HOUSING WITH FASTENING**

ABS or Polycarbonate Housing suitable for electronic modules.

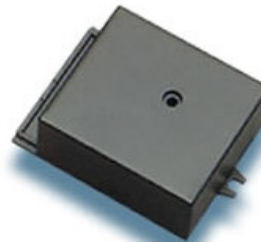
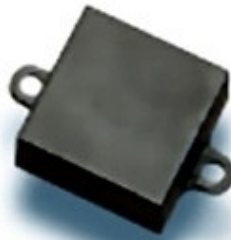
CA

MA

QA

QT

RF



RM

RT

96 SS/CO A  
96 SS/CO A

120 SS/CO A  
120 SS/CO A

**POWER BOX**



**MTL - NO-MOULD HOUSINGS**

The MT Technology allows for the realisation of special housings and covers, made following Customer's specs, without any need for moulds and without any cost due to machine set-up .

